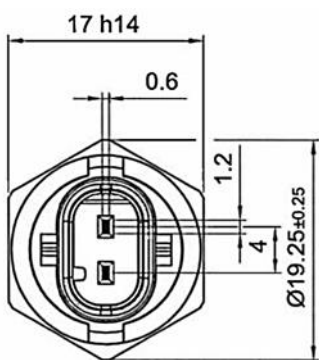
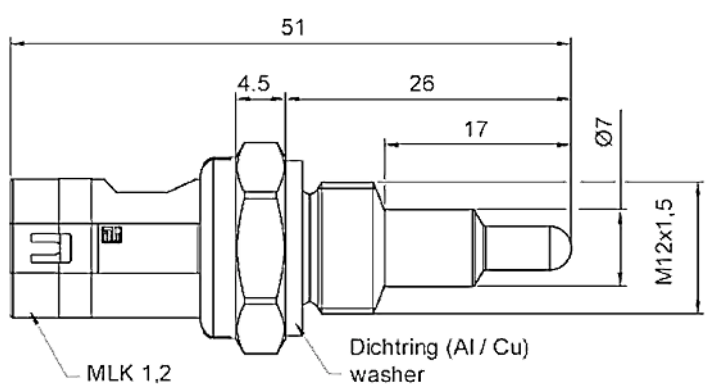


# Temperature sensor

## 94082



Connector		Dimensions	
			
<b>Media</b>	Liquid media e.g. water, oil	<b>Connector</b>	MLK 1.2, Female connector on request
<b>Nominal resistance</b>	2,251 Ω (25 °C) *	<b>Sealing ring</b>	Al / CU
<b>Temperature range</b>	- 40 °C to +155 °C	<b>Protection range</b>	IP 6K9K
<b>Time of response</b>	T90 ≤ 10 s (water)	<b>Order number</b>	9408200900
<b>Thread</b>	M12 x 1.5	<b>Order number with mating plug</b>	9408200910