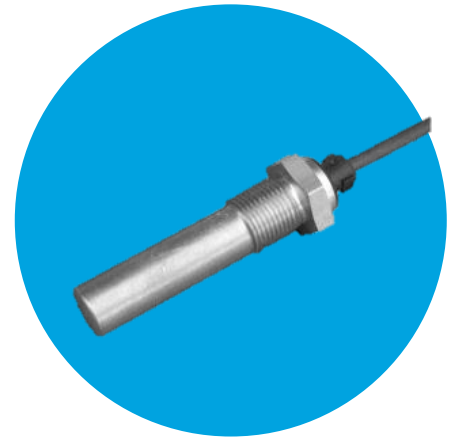
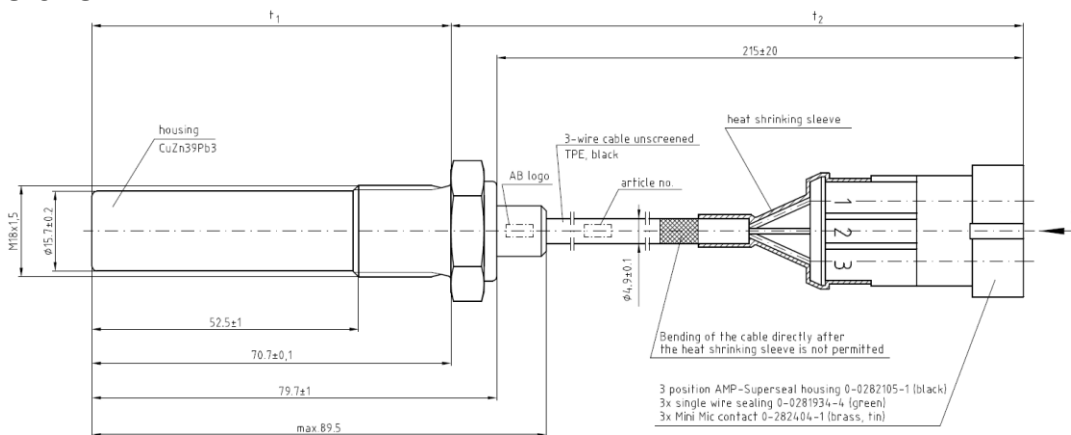


Speed Sensor (Hall)

94220 00030

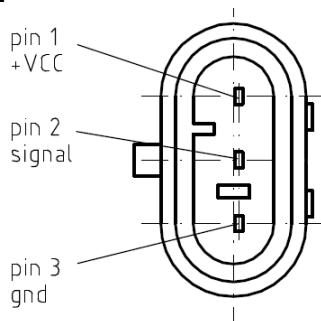


Dimensions

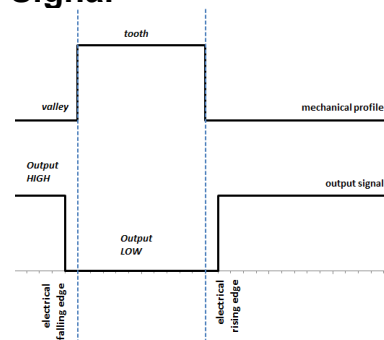


Supply voltage	4.5 V – 24 V DC	Supply Current	Max. 5 mA	Output	Open collector
Frequency	0 – 7500 Hz	Working distance	≤ 2 mm	Temperature range	-40 °C to +130 °C (t1) (150 °C/ 1 h)
Protection class	IP65 (with fitting female connector)	Maximum fastening torque	50 Nm	Min. radius cable bending	25 mm
Connector	See drawing	Output current	≤ 20 mA	Shaft length	70.7 ± 0.1 mm
Mounting hole	M18 X 1.5				

Connector



Output Signal



Technical status acc. to specification