

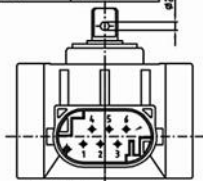
Angle sensor (Hall)

92201



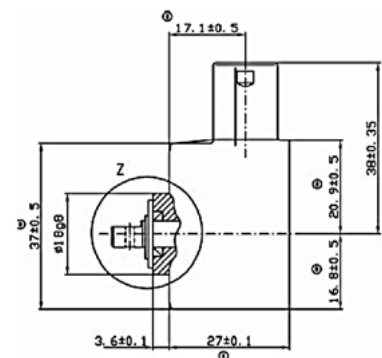
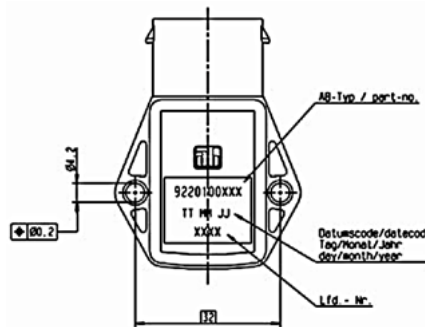
Connector Female connector on

Pinbelegung connecting chart	
Signal 1	Signal 2
1: +	6: +
2: -	5: -
4: out	3: out



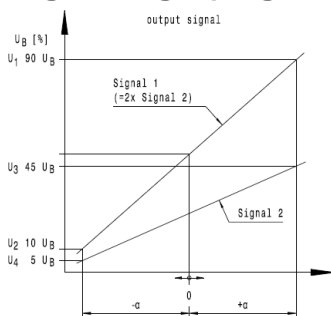
Mate Connector:
 MQS-Gegensiecker/connector housing
 AMP-Nr. 1-967616-1
 Steckerkontakt/terminals
 AMP-Nr. 0-096 3727-2
 Blindstopfen/blind plug
 AMP-Nr. 0-096 7056-1
 Einzelleiterabdichtung/core seal
 AMP-Nr. 0-096 7067-1

Dimensions

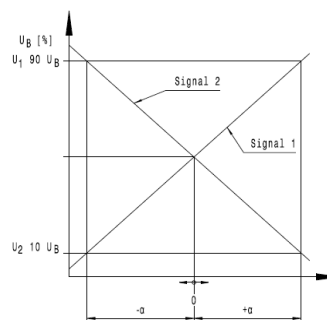


Supply	5 V 11 mA max. per signal slow mode	Temperature range	-40 °C to + 120 °C
Output signal	Voltage interface 2 signal	Sealing grade	IP 6K9K with connector
Terminals Sensor	Gold plated	Vibration	Robust against higher requirements
Specification	ABN 41511	Drawing	92201000 Index 02

Angle range (degrees)



Elektrischer Winkel α electrical angle α	AB Typ-Nr.: AB part-no.:
$\pm 45^\circ$	92 201 010 10
$\pm 60^\circ$	92 201 010 20
$\pm 90^\circ$	92 201 010 30
$\pm 180^\circ$	92 201 010 40



Elektrischer Winkel α electrical angle α	AB Typ-Nr.: AB part-no.:
$\pm 45^\circ$	92 201 002 10
$\pm 60^\circ$	92 201 002 20
$\pm 90^\circ$	92 201 002 30
$\pm 180^\circ$	92 201 002 40